

## ZXE-104833 (ORDER NO. 104833)

### ZXE, 3-stage with click

- ▶ 3-stage function
- ▶ Dual-channel version
- ▶ 22.5 mm installation dimension
- ▶ Snap-action switching contact
- ▶ With click
- ▶ Screw terminals



### Description

#### Notes

- ▶ Enabling switch ZXE-104833 for use in housing HBA/HBM
- ▶ A click sounds during the change from stage 1 to stage 2 and during the return from stage 2 to stage 1.

### Switching element

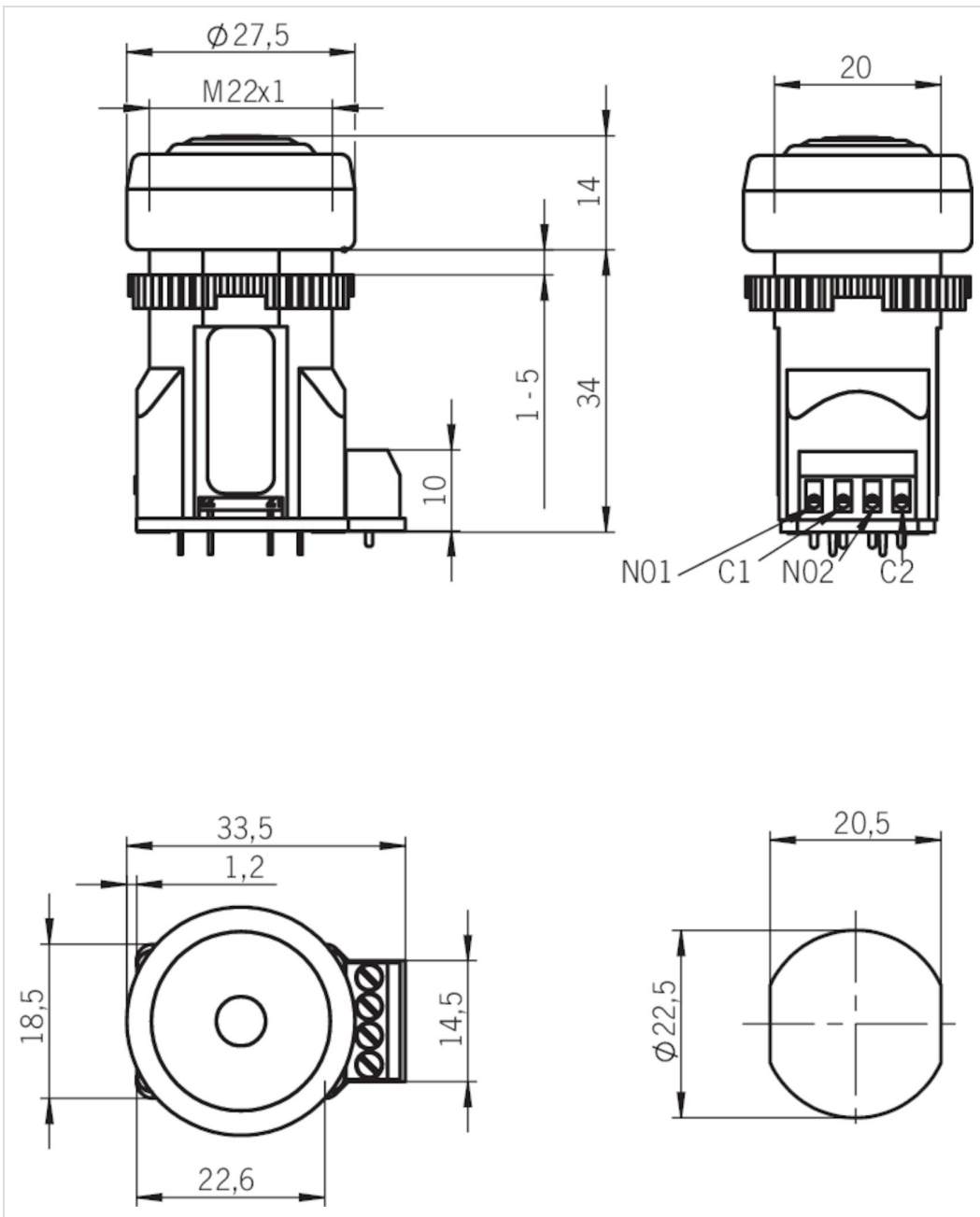
2202 2NO/NC

- 1) From position 1 to position 2 -> NO contact; from position 2 to position 3 -> NC contact.

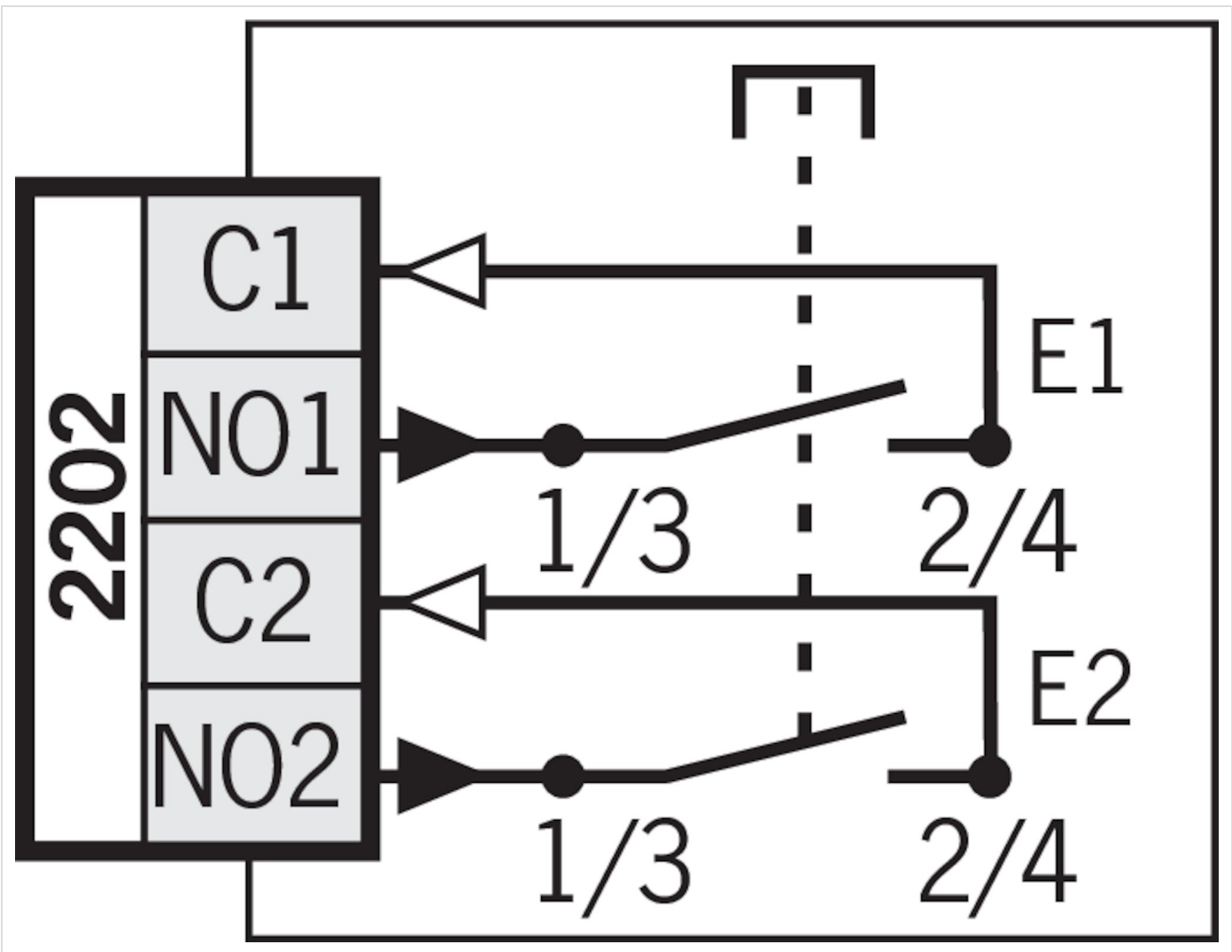
### 3-stage function

Enabling function is active only in the second stage (middle position, actuating point). If the pushbutton is released or pushed further (panic function), the enabling is removed (dependent on the wiring, see function sequence).

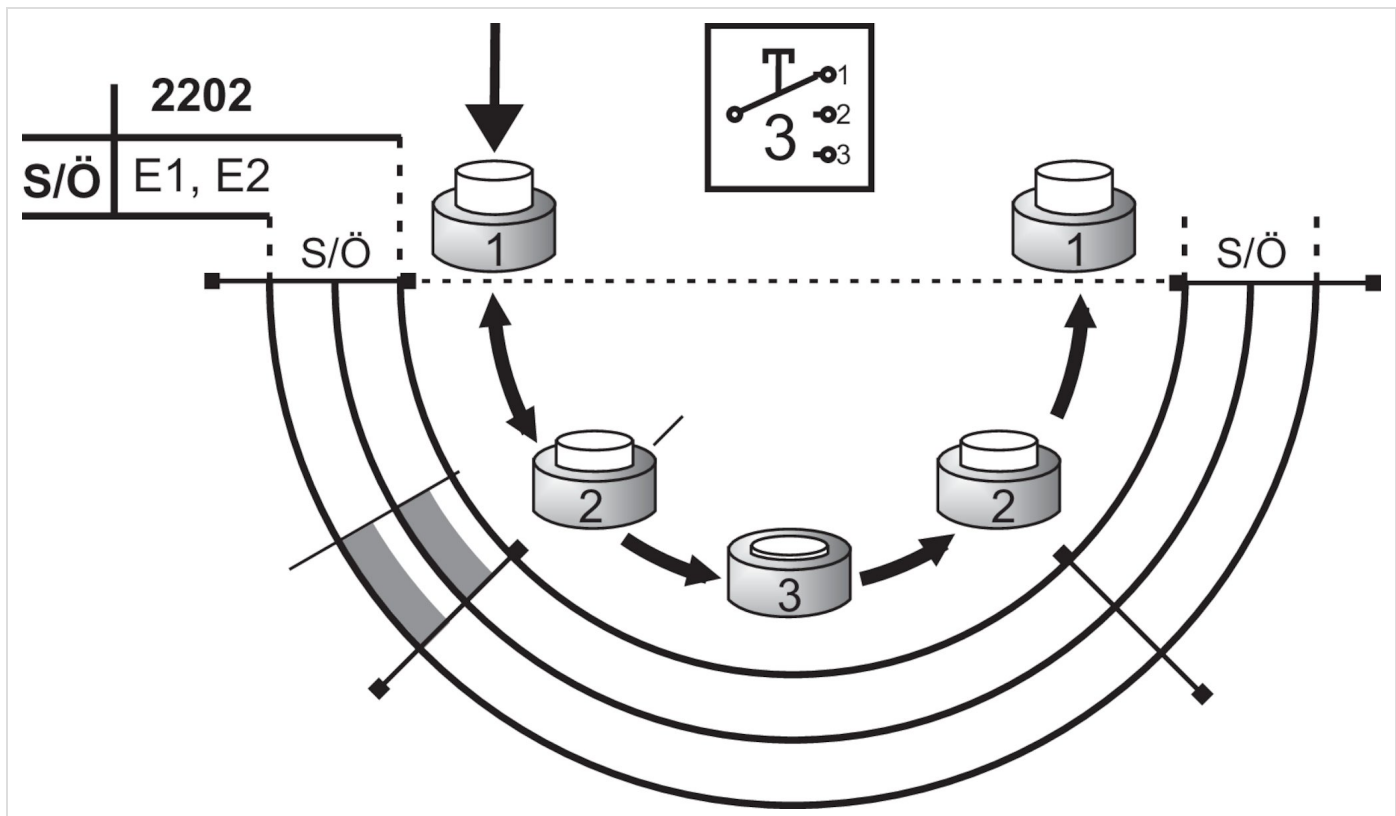
### Dimension drawing



2202



Travel diagram



- open
- closed
- closed, enabling

## Technical data

### Approvals



### Mechanical values and environment

Rated actuating force according to EN 60947-5-8      max.100 N

#### Material

Protective cap    CR

#### Housing material

Housing    Polyamide

#### Weight

Net    0,03 kg

#### Ambient temperature

-5 ... 60 °C

#### Degree of protection

IP65  
(On the front)

IP00  
(Connections)

#### Mechanical life

Position 1-2-1    0,1 x 10<sup>6</sup>

Position 1-2-3-1    0,1 x 10<sup>6</sup>

#### Installation orientation

Any

#### Tightening torque

Screws    max.0,15 Nm

#### Number of switching elements

2 NO

#### Connection

Screw terminal 4-pole

#### Stripping length

5 mm


#### Actuating force


max.50 N  
(from stage 2 to 3)


### Electrical connection ratings


Rated conditional short-circuit current	100 A
Utilization category acc. to EN 60947-5-2	
	DC-13 0.1A 24V
Fusing	
	external 0,1 A Medium slow-blow
Rated insulation voltage U <sub>i</sub>	30 V
Rated impulse withstand voltage U <sub>imp</sub>	1,5 kV
Switching current	5 ... 100 mA
Degree of contamination (external, according to EN 60947-1)	3
Connection cross-section	
	multiple conductor 0,33 ... 0,75 mm <sup>2</sup>
	single conductor 0,33 ... 1,5 mm <sup>2</sup>
Connection cross-section, AWG	
	single conductor 22 ... 16 AWG
	multiple conductor 22 ... 18 AWG
Breaking capacity	max.0,25 W
<b>Other</b>	
Additional feature	Click
In compliance with	DIN EN 60947-5-8
Color	
	Housing Black
	Protective cap Black
<b>Reliability values according to EN ISO 13849-1</b>	
B10 <sub>D</sub>	0,75 x 10 <sup>6</sup>

## Contacts

 EUCHNER GmbH + Co. KG  
 Kohlhammerstraße 16  
 70771 Leinfelden-Echterdingen

 +49 711 7597-0

 +49 711 753316

 info(at)euchner.de